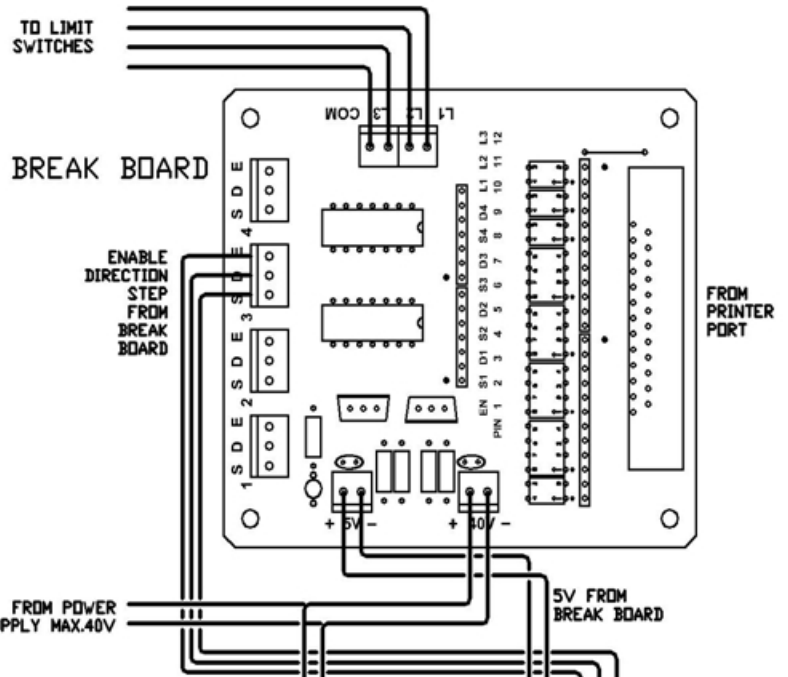
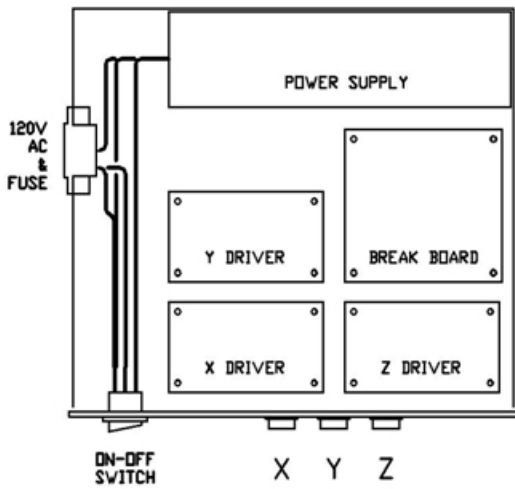


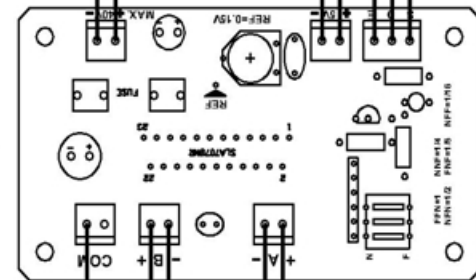
DRIVER BOX MANUAL

DRIVER BOX



- DUE TO THE OPEN DESIGN, BE VERY CAREFULL OF THE EXPOSED WIRES AND CONNECTIONS
- BEFORE TURNING POWER ON, MAKE SURE STEP MOTORS ARE CONNECTED
- MAKE SURE, NO POWER APPLIED, WHEN MAKING ANY ADJUSTMENTS, INCLUDING DEEP SWITCH SETTING
- ENABLE SIGNAL CAN BE REVERSE, PLEASE MAKE SURE POWER INDICATOR IS 'ON', IF NOT, MAKE IT REVERSE FROM SOFTWARE
- PLEASE USE ADEQUATE RATE FOR FUSES

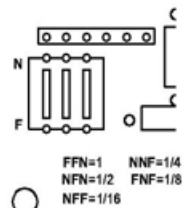
DRIVER



PIN TABLE

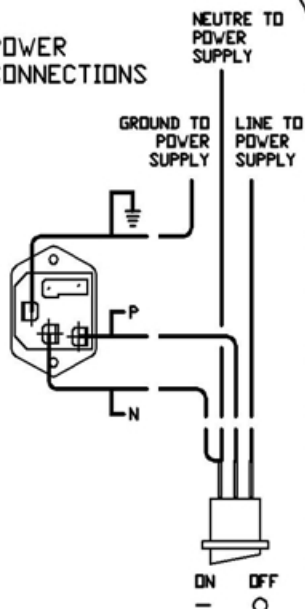
PIN	X		Y		Z		A		LIMIT 1	LIMIT 2	LIMIT 3
	ENABLE	DIRECTION	STEP	DIRECTION	STEP	DIRECTION	STEP	DIRECTION			
1											
2	STEP										
3		DIRECTION									
4			STEP								
5				DIRECTION							
6					STEP						
7						DIRECTION					
8							STEP				
9								DIRECTION			

MICRO STEP ADJUSTMENT

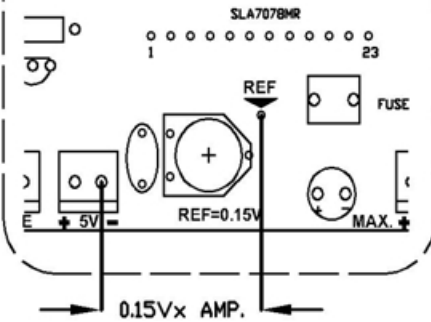


1/1	OFF	OFF	ON
1/2	ON	OFF	ON
1/4	ON	ON	OFF
1/8	OFF	ON	OFF
1/16	ON	OFF	OFF

POWER CONNECTIONS



REFERENCE VOLTAGE ADJUSTMENT



1 Amp.	0.15 Volt
1.5Amp.	0.225 Volt
2 Amp.	0.30 Volt
2.5Amp.	0.375 Volt
3 Amp.	0.45 Volt